


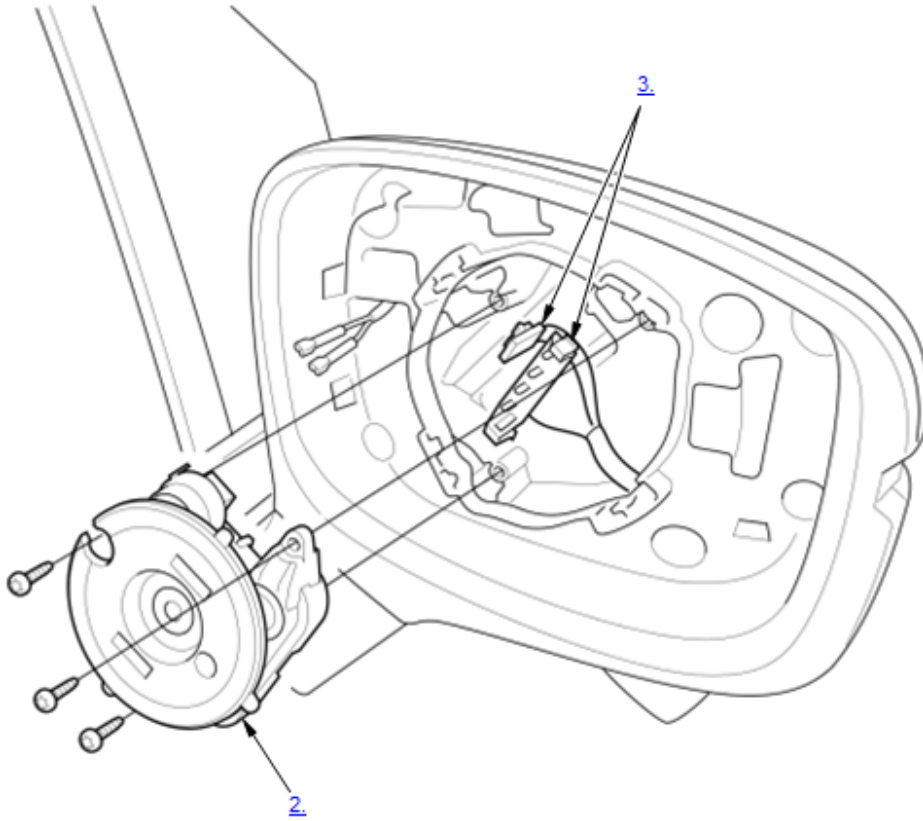
Power Mirror Actuator/Retract Actuator Removal and Installation

Removal/Installation

NOTE:  Where icon is shown, click for further information.

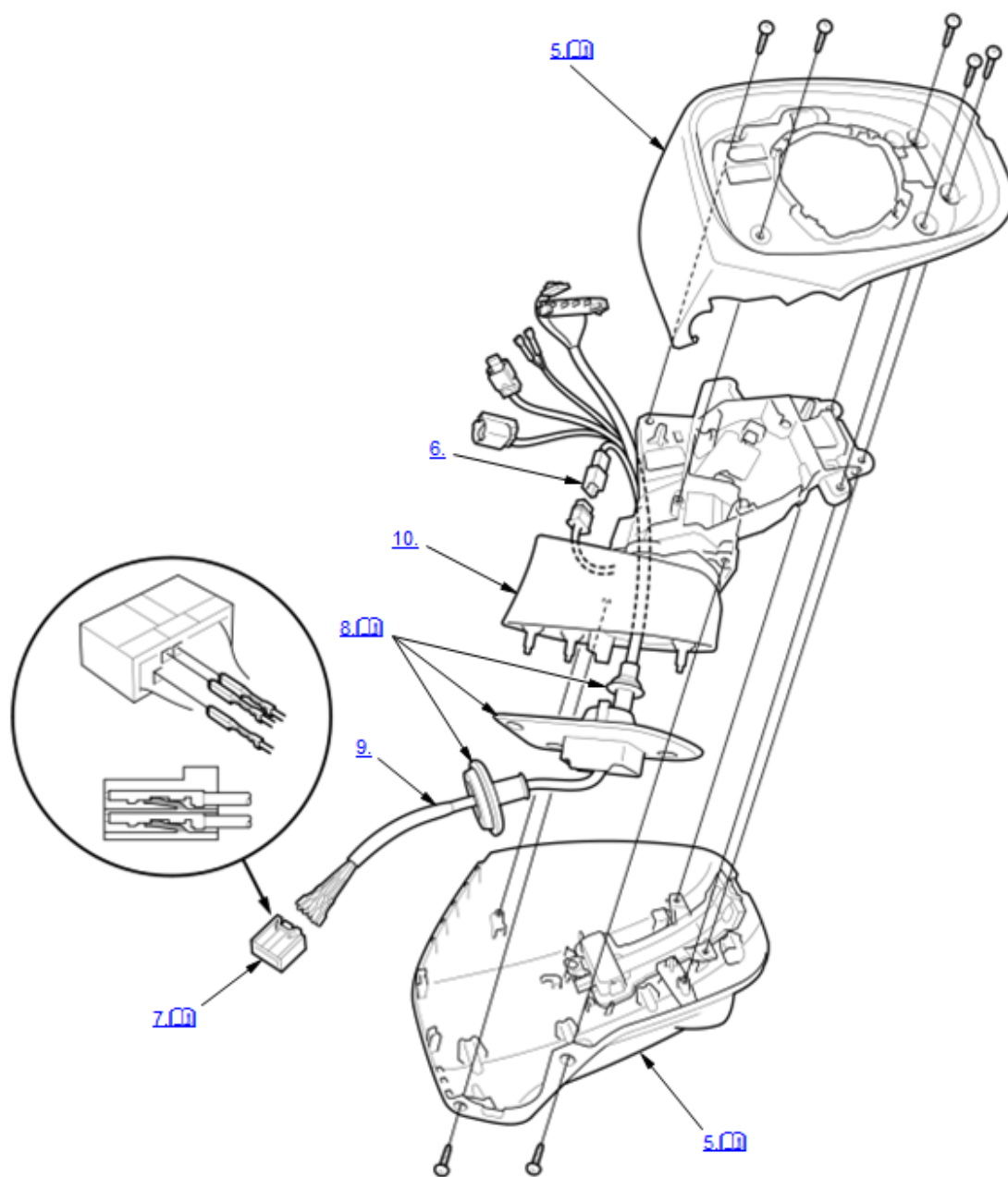
1


Power Mirror Actuator



2

Retract Actuator (With Power Retract Mirror)



| | |
|---|--|
|  | Detailed information, notes, and precautions |
|---|--|

Power Mirror Actuator

1. Mirror Holder - Remove

2. Power Mirror Actuator - Remove

3. Connectors - Disconnect

Retract Actuator (With Power Retract Mirror)

4. Power Mirror - Remove

5. Mirror Housing Cover - Remove

NOTE: When removing the mirror housing cover, take care not to damage the hook.

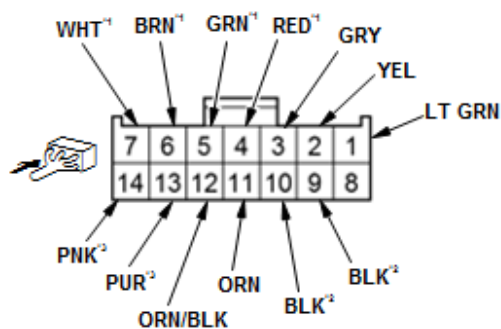
6. Connector - Disconnect

7. Connector - Disassembly

Note for installation

1. Insert the power mirror wires into the terminal locations at the following as shown.

Left side

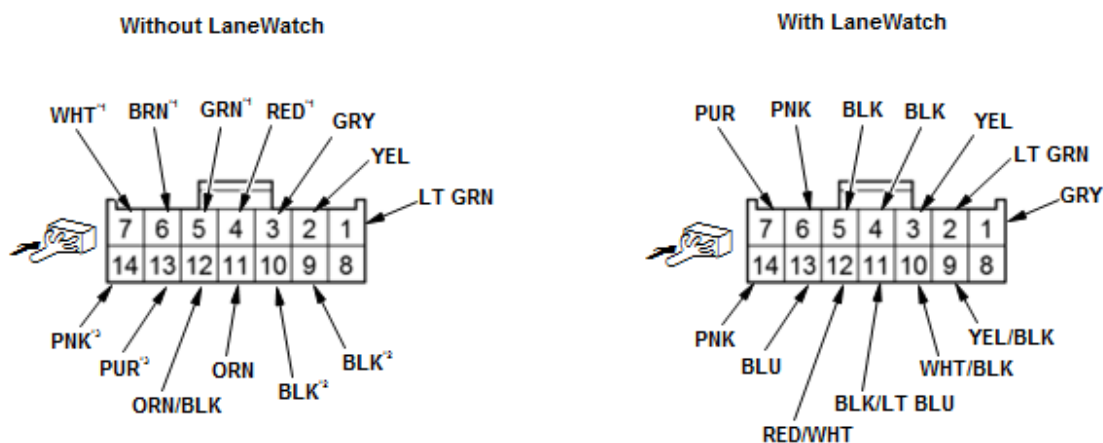


*1: With DPMS

*2: With mirror defogger

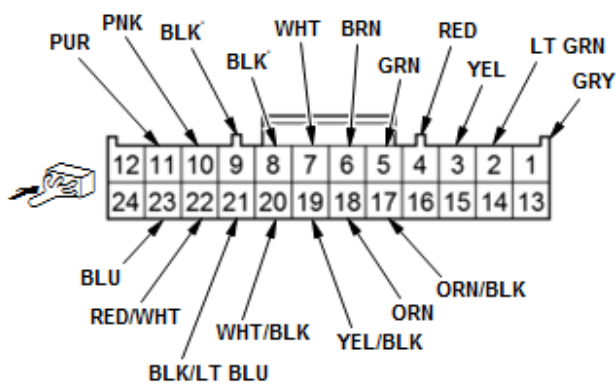
*3: With side turn signal light

Right side 14P connector type



- *1: With DPMS
- *2: With mirror defogger
- *3: With side turn signal light

Right side 24P connector type

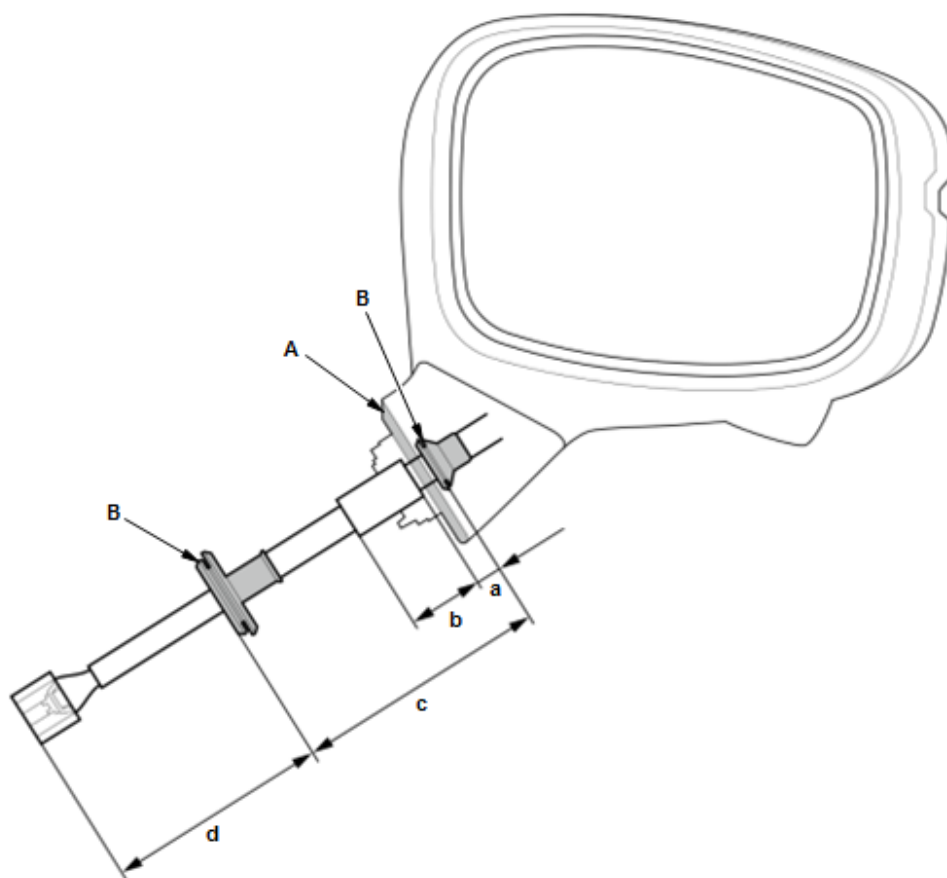


- *: With mirror defogger

8. Gasket/Grommet - Remove

Note for installation

1. Install the gasket (A) and grommets (B) on the wire harness at the proper positions, and apply the electrical tapes to fix them.



a: 7 mm (0.28 in)
b: 60 mm (2.36 in)
c: 129 mm (5.08 in)
d: 150 mm (5.91 in)

9. Wire Harness - Remove

10. Retract Actuator - Remove

11. All Removed Parts - Install

1. Install the parts in the reverse order of removal.