

Interior Trim Removal and Installation - Door Areas

Removal/Installation

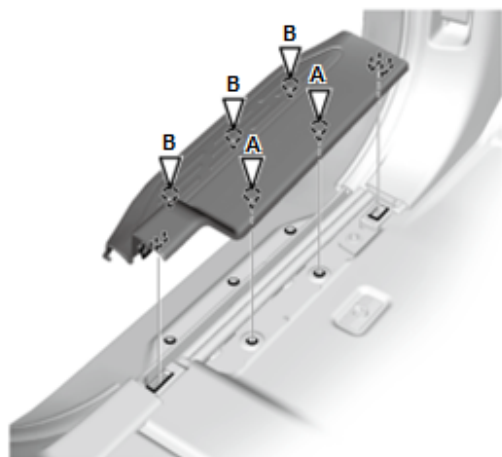
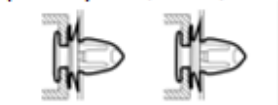
Front Door Sill Area

1. Front Door Sill Trim - Remove

Fastener Locations

A ▷ : 2
(Yellow)

B ▷ : 3
(Green)



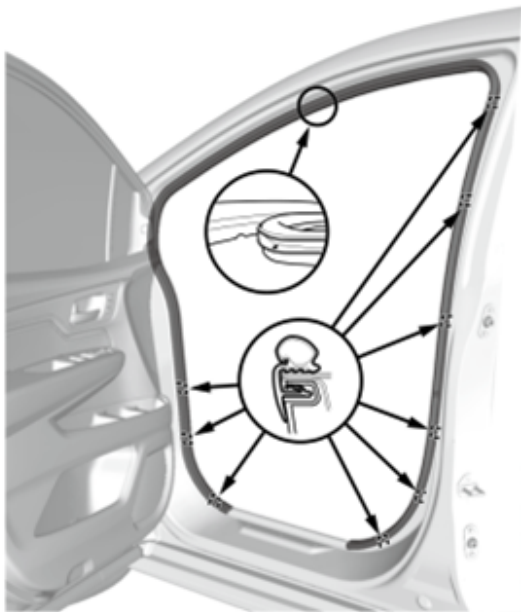
2. Kick Panel - Remove

Fastener Locations

▷ : 2



3. Front Door Opening Seal - Remove



4. All Removed Parts - Install

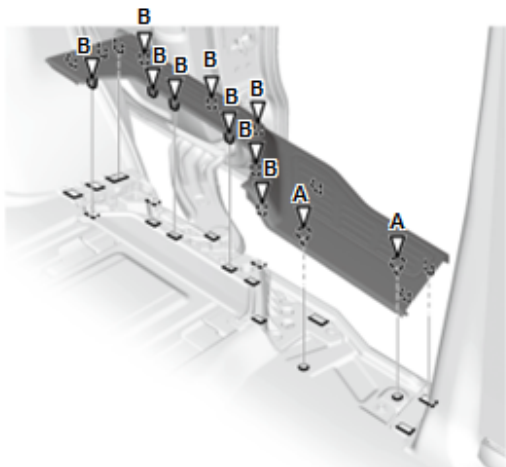
1. Install the parts in the reverse order of removal.

Sliding Door Sill Area

1. Sliding Door Sill Upper Trim - Remove

Fastener Locations

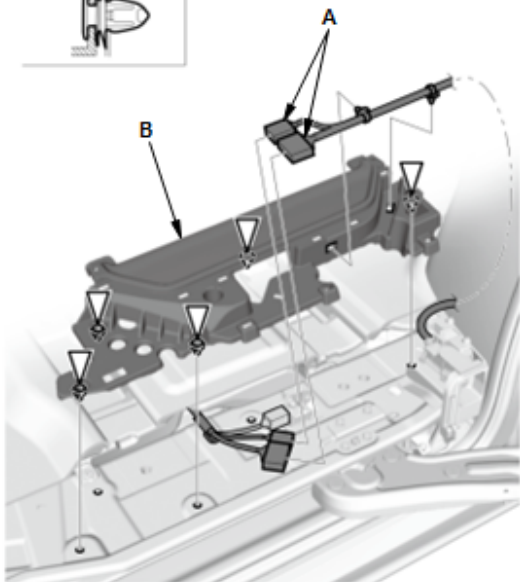
A ▷ : 2 B ▷ : 9



2. Sliding Door Sill Lower Trim - Remove

Fastener Locations

▷ : 5

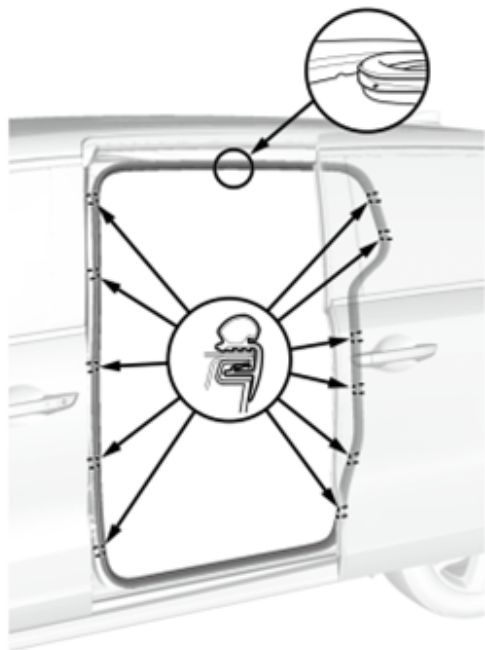


1. Disconnect the connectors (A).
2. Remove the sliding door sill lower trim (B).

3. CESS Articulated Harness - Remove

4. Sliding Door Lower Roller Assembly - Remove

5. Sliding Door Weatherstrip - Remove



6. All Removed Parts - Install

1. Install the parts in the reverse order of removal.