

Mirror Housing Cover Removal and Installation

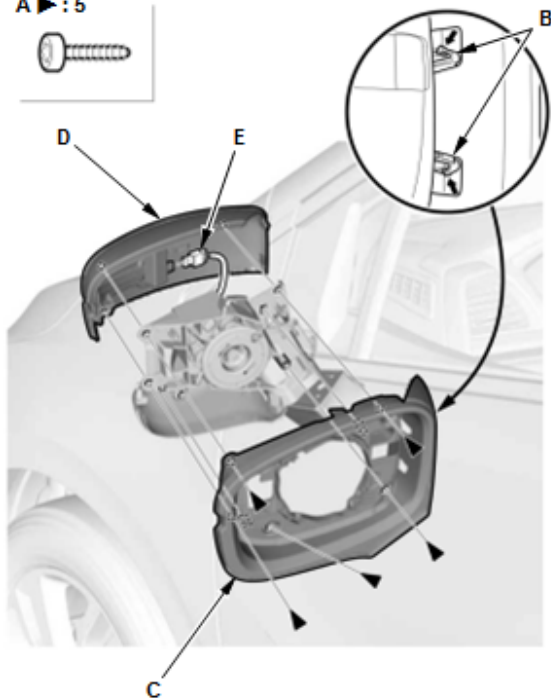
Removal/Installation

1. Mirror Holder - Remove

2. Mirror Housing Upper Cover - Remove

Fastener Locations

A ▶ : 5

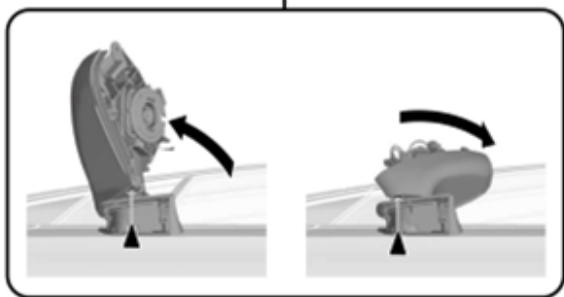
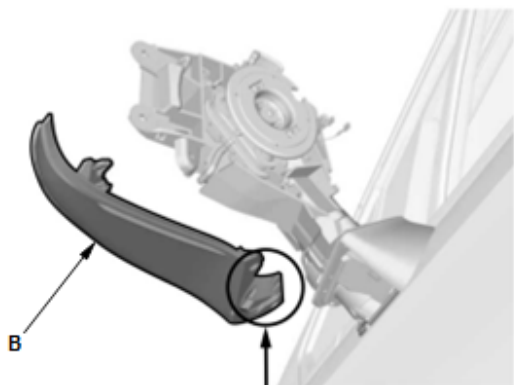


1. Remove the screws (A).
2. Release the hooks (B).
3. Remove the visor (C) and the mirror housing upper cover (D).
4. With Side Turn Signal Light: Disconnect the connector (E).

3. LaneWatch Camera - Remove (With LaneWatch)

NOTE: Only if the passenger's side mirror was removed (Models equipped with LaneWatch only).

4. Mirror Housing Under Cover - Remove

Fastener Locations**A ▶ : 2**

1. Remove the screws (A).
2. Remove the mirror housing under cover (B).

5. All Removed Parts - Install

1. Install the parts in the reverse order of removal.

6. LaneWatch Camera - Aim (With LaneWatch)

NOTE: Only if the passenger's side mirror was removed (Models equipped with LaneWatch only).